

IDS-7204HQHI-M1/S TURBO ACUSENSE DVR

Key Feature

- 4 channels and 1 HDD 1U AcuSense DVR
- False alarm reduction through human and vehicle target classification based on deep learning
- Efficient H.265 pro+ compression technology
- Encoding ability up to 1080p @ 15 fps
- 5 signals input adaptively (HDTV/AVHD/CVI/CVBS/IP)
- Up to 6 network cameras can be connected.



Compression and Recording

- H.265 Pro+ video compression improves encoding efficiency, and reduces data storage costs
- Full channel recording at up to 1080p resolution

Storage and Playback

- Smart search for efficient playback

Smart Function

- Deep learning-based motion detection, and perimeter protection (line crossing and intrusion detection)
- Support multiple VCA (Video Content Analytics) events for both analog and smart IP cameras

Network & Ethernet Access

- Compatible with major Wi-Fi dongle products in the market
- Hik-Connect & DDNS (Dynamic Domain Name System) for easy network management
- Output bandwidth limit configurable

▪ Specification

| Motion Detection 2.0 | |
|------------------------------|--|
| Human/Vehicle Analysis | <p>Deep learning-based motion detection 2.0 is enabled by default for all analog channels, it can classify human and vehicle, and extremely reduce false alarms caused by objects like leaves and lights;</p> <p>Quick search by object or event type is supported;</p> |
| Perimeter Protection | |
| Human/Vehicle Analysis | Up to 2-ch |
| Facial Detection | |
| Facial Detection and Capture | Face picture detection, face picture search |
| Recording | |
| Video Compression | H.265 Pro+/H.265 Pro/H.265/H.264+/H.264 |
| Encoding Resolution | <p>When 1080p Lite mode is not enabled: 4 MP Lite/3 MP/1080p/720p/VGA/WD1/4CIF/CIF;</p> <p>When 1080p Lite mode is enabled: 4 MP Lite/1080p Lite/720p Lite/VGA/WD1/4CIF/CIF</p> |
| Frame Rate | <p>Main stream:</p> <p>When 1080p Lite mode not enabled:</p> <p>For 4 MP stream access: 4 MP lite@15 fps; 1080p lite/720p/WD1/4CIF/VGA/CIF@25 fps (P)/30 fps (N)</p> <p>For 3 MP stream access: 3 MP/1080p/720p/VGA/WD1/4CIF/CIF@15 fps</p> <p>For 1080p stream access: 1080p/720p@15 fps; VGA/WD1/4CIF/CIF@25 fps (P)/30 fps (N)</p> <p>For 720p stream access: 720p/VGA/WD1/4CIF/CIF@25 fps (P)/30 fps (N)</p> <p>When 1080p Lite mode enabled:</p> <p>4 MP lite/3 MP@15 fps; 1080p lite/720p lite/VGA/WD1/4CIF/CIF@25 fps (P)/30 fps (N)</p> <p>Sub-stream:</p> <p>WD1/4CIF@12 fps; CIF@25 fps (P)/30 fps (N)</p> |
| Video Bitrate | 32 Kbps to 6 Mbps |
| Dual-stream | Support |
| Stream Type | Video, Video & Audio |
| Audio Compression | G.711u |
| Audio Bitrate | 64 Kbps |

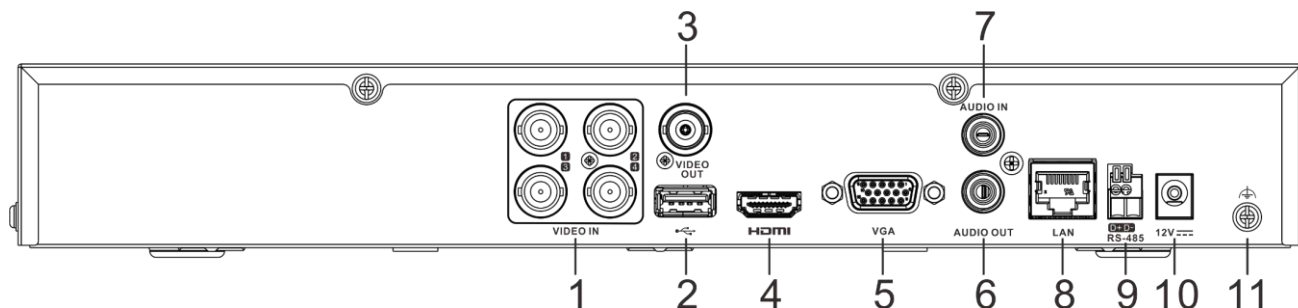
| Video and Audio | |
|----------------------------|---|
| IP Video Input | 1-ch (up to 5-ch) Up to 6 MP resolution Enhanced IP mode on: 2-ch (up to 6-ch), each up to 4 Mbps Support H.265+/H.265/H.264+/H.264 IP cameras |
| Analog Video Input | 4-ch;BNC interface (1.0 Vp-p, 75 Ω), supporting coaxitron connection |
| HDMI Output | 1-ch, 1920 × 1080/60Hz, 1280 × 1024/60Hz, 1280 × 720/60Hz, HDMI/VGA simultaneous output |
| CVBS Input | PAL/NTSC |
| CVBS Output | 1-ch, BNC (1.0 Vp-p, 75 Ω), resolution: PAL: 704 × 576, NTSC: 704 × 480 |
| Synchronous playback | 4-ch |
| HDTV Input | 4 MP, 3 MP, 1080p30, 1080p@25 fps, 720p@60 fps, 720p@50 fps, 720p@30 fps, 720p@25 fps *: The 3 MP signal input is only available for channel 1 of iDS-7204HQHI-M1/S, for channel 1/2 of iDS-7208HQHI-M1/S, and for channel 1/2/3/4 of iDS-7216HQHI-M1/S. |
| AHD Input | 4 MP, 1080p@25 fps, 1080p@30 fps, 720p@25 fps, 720p@30 fps |
| VGA Output | 1-ch, 1920 × 1080/60Hz, 1280 × 1024/60Hz, 1280 × 720/60Hz |
| HDCVI Input | 4 MP, 1080p@25 fps, 1080p@30 fps, 720p@25 fps, 720p@30 fps |
| Audio Output | 1-ch, RCA (Linear, 1 KΩ) |
| Audio Input | 1-ch, RCA (2.0 Vp-p, 1 KΩ),4-ch via coaxial cable |
| Two-Way Audio | 1-ch, RCA (2.0 Vp-p, 1 KΩ) (using the first audio input) |
| Network | |
| Total Bandwidth | 72 Mbps |
| Network Protocol | TCP/IP, PPPoE, DHCP, Hik-Connect, DNS, DDNS, NTP, SADP, NFS, iSCSI, UPnP™, HTTPS, ONVIF |
| Remote Connection | 32 |
| Network Interface | 1, RJ45 10M/100M self-adaptive Ethernet interface |
| Auxiliary Interface | |
| SATA | 1 SATA interface |
| Capacity | Up to 10 TB capacity for each disk |
| Serial Interface | RS-485 (half-duplex) |
| USB Interface | 2 × USB 2.0 |
| Alarm In/Out | N/A |

| General | |
|-----------------------|---|
| Power Supply | 12 VDC, 1.5A |
| Consumption | ≤ 18 W |
| Working Temperature | -10 °C to +55 °C (+14 °F to +131 °F) |
| Working Humidity | 10% to 90% |
| Dimension (W × D × H) | 315 × 242 × 45 mm (12.4 × 9.5 × 1.8 inch) |
| Weight | ≤ 1.16 kg (2.6 lb) |

Note:

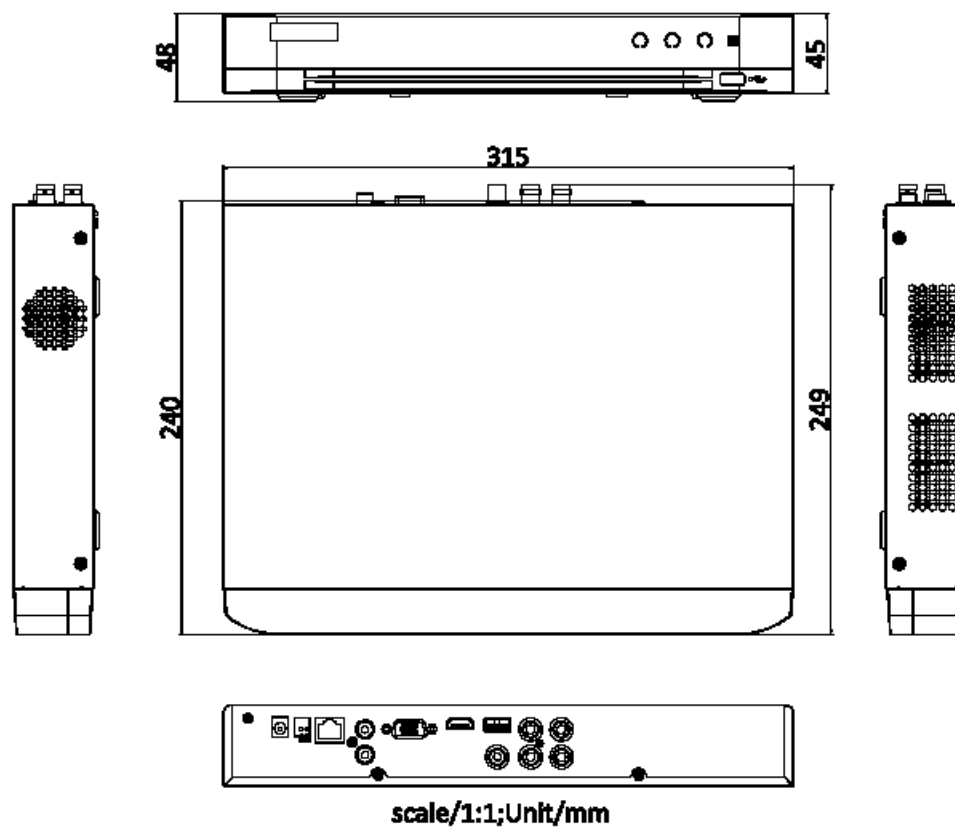
- 1: Motion detection 2.0 and perimeter protection cannot be enabled at the same time. Enable one function will make the other one unavailable.
- 2: Enhanced IP mode might be conflicted with smart events (motion detection 2.0 and perimeter protection) or other functions, please refer to the user manual for details.
- 3: The number of audio inputs and alarm in/out can be optional. The tag on the package will describe audio input and alarm in/out parameters. For example, "4A+8/4ALM" means your device has 4 audio inputs, 8 alarm inputs and 4 alarm outputs. If your device only has 1 audio input, the tag may not describe it.

Physical Interface



| No. | Description | No. | Description |
|-----|--------------------------|-----|-------------------------|
| 1 | VIDEO IN | 7 | AUDIO IN, RCA connector |
| 2 | USB interface | 8 | LAN network interface |
| 3 | VIDEO OUT | 9 | RS-485 serial interface |
| 4 | HDMI interface | 10 | 12 VDC power input |
| 5 | VGA interface | 11 | GND |
| 6 | AUDIO OUT, RCA connector | | |

Dimension



Available Model

iDS-7204HQHI-M1/S

Headquarters

No.555 Qianmo Road, Binjiang District,
Hangzhou 310051, China
T +86-571-8807-5998
www.hikvision.com



Follow us on social media to get the latest product and solution information.



Hikvision



HikvisionHQ



HikvisionHQ



Hikvision_Global



Hikvision
Corporate Channel



hikvisionhq