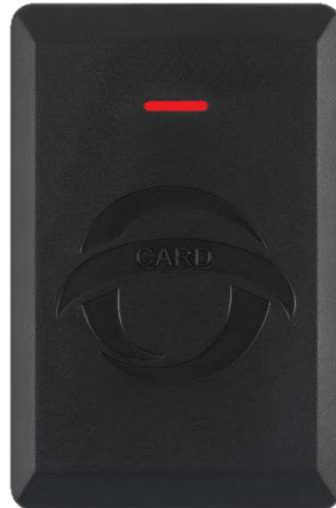


OEC-R1H-M IC Card Reader

Overview

OEC-R1H-M IC card reader is a contactless RF IC card reader used with Uniview access controllers to identify MIFARE I & MIFARE LITE IC cards. With an access controller connected, it can read and upload IC card data to the access controller. It features high sensitivity, low operating current and single DC power supply, and is suitable for access control, attendance management and other scenarios.



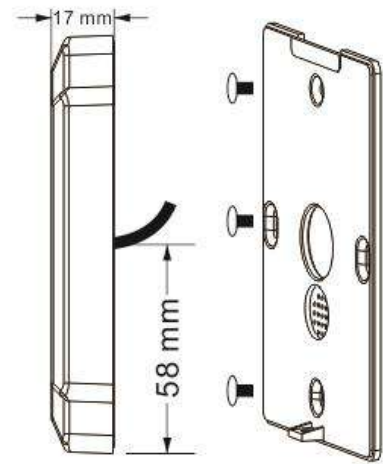
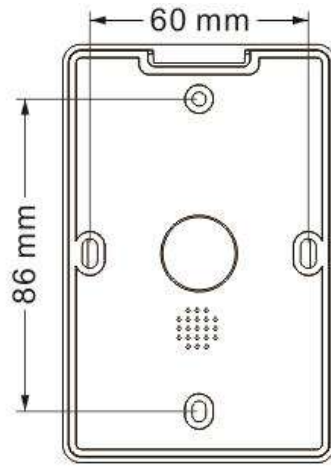
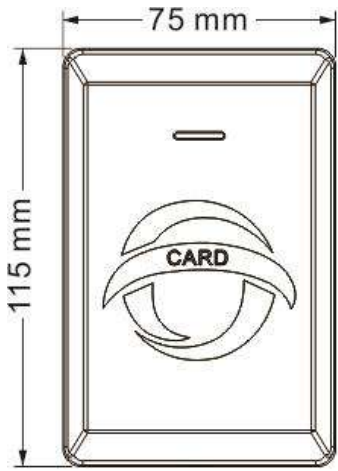
Features

- Supports MIFARE I & MIFARE LITE IC cards.
- 0 to 3cm reading distance.
- Less than 200ms response time within the effective reading distance.
- Wiegand output.
- Built-in blue/green LED and buzzer for alarm indication.
- Indoor/outdoor installation.
- Low operating current, single DC power supply.
- Stable, sensitive and responsive.

Parameter

Parameter	Description
Reading distance	0 to 3cm
Card support	MIFARE I & MIFARE LITE
Response time	≤0.2s
Terminal distance	≤5m
Power supply	Operating voltage: DC10.8 to 13.8V, operating current: 50 to 70mA
Operating environment	Temperature: -10°C to +65°C, humidity: 10% to 90%
Dimensions	115 × 75 × 17 mm (L*W*H)
Interface	1 Wiegand output (Wiegand26/34)
Operating frequency	13.56MHz

Dimensions



Zhejiang Uniview Technologies Co., Ltd.

Building No.10, Wanlun Science Park, Jiangling Road 88, Binjiang District, Hangzhou, Zhejiang, China

Email: overseasbusiness@uniview.com; globalsupport@uniview.com

<http://www.uniview.com>

©2022 Zhejiang Uniview Technologies Co., Ltd. All rights reserved.

* Product specifications and availability are subject to change without notice.