

5MP WDR Starlight IR Network Indoor MiniPTZ Dome Camera

IPC6415SR-X5UPW-VG



Key Features



- High quality image with 5MP, 1/2.7" CMOS sensor
- 2880*1620@30fps in the main stream, 16:9 aspect ratio
- Ultra 265, H.265, H.264, MJPEG
- 5X optical zoom allows for closer viewing of subjects
- Smart intrusion prevention, support false alarm filtering, include Cross Line, Intrusion, Enter Area, Leave Area detection
- LightHunter technology ensures ultra-high image quality in low illumination environment
- Up to 120 dB Optical WDR (Wide Dynamic Range)
- Wi-Fi connection and easy installation
- Built-in Mic & Speaker, support two-way audio
- Alarm 1 in and 1 out
- Smart IR, up to 30m (98 ft) IR distance

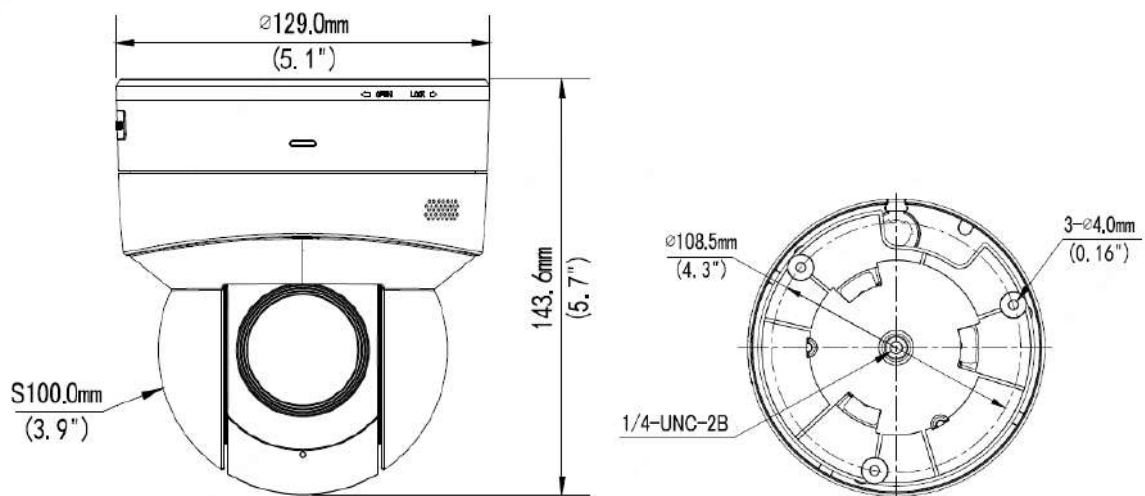
Specifications

| | | | | | |
|----------------------------|---|----------------|---------------|---------------|--------------|
| IPC6415SR-X5UPW-VG | | | | | |
| Camera | | | | | |
| Sensor | 1/2.7", 5.0 megapixel, progressive scan, CMOS | | | | |
| Min. Illumination | Colour:0.003 lux (F1.2, AGC ON) 0 lux with IR | | | | |
| Day/Night | IR-cut filter with auto switch (ICR) | | | | |
| Shutter | Auto/Manual, 1 ~ 1/100000s | | | | |
| WDR | 120dB | | | | |
| S/N | > 56dB | | | | |
| Lens | | | | | |
| Lens type | 2.7~13.5mm@F1.2, AF automatic focusing and motorized zoom lens | | | | |
| Iris | Auto aperture | | | | |
| Field of View (H) | 106.9°~30.6° | | | | |
| Field of View (V) | 56.0°~17.7° | | | | |
| Field of View (D) | 131.5°~39.8° | | | | |
| DORI | | | | | |
| DORI Distance | Lens (mm) | Detect (m) | Observe (m) | Recognize (m) | Identify (m) |
| | 2.7 | 70.9(232.5ft) | 28.4(93.0ft) | 14.2(46.5ft) | 7.1(23.3ft) |
| | 13.5 | 247.5(812.0ft) | 99.0(324.8ft) | 49.5(162.4ft) | 24.8(81.2ft) |
| Illuminator | | | | | |
| IR Range | Up to 30m (98 ft) IR range | | | | |
| Wavelength | 850nm | | | | |
| IR On/Off Control | Auto/Manual | | | | |
| Video | | | | | |
| Video Compression | Ultra 265, H.265, H.264, MJPEG | | | | |
| Frame Rate | Main Stream: 5MP (2880*1620),Max 30fps; Sub Stream: 720P (1280*720), Max 30fps; Third Stream: D1 (720*576), Max 30fps | | | | |
| Video Bit Rate | 128 Kbps~16 Mbps | | | | |
| U-code | Support | | | | |
| ROI | Support | | | | |
| Video stream | Triple streams | | | | |
| OSD | Up to 8 OSDs | | | | |
| Privacy Mask | 24 areas, up to 4 areas per scene | | | | |
| Image | | | | | |
| White Balance | Auto/Outdoor/Fine Tune/Sodium Lamp/Locked/Auto2 | | | | |
| Digital noise reduction | 2D/3D DNR | | | | |
| Smart IR | Support | | | | |
| Flip | Normal/Flip Vertical/Flip Horizontal/180° | | | | |
| HLC | Support | | | | |
| BLC | Support | | | | |
| Defog | Digital Defog | | | | |
| Intelligent | | | | | |
| Smart Intrusion prevention | Support false alarm filtering: Cross Line detection, Intrusion detection, Enter Area detection, Leave Area detection | | | | |

| Events | |
|------------------------|---|
| Basic Detection | Motion detection, Audio detection, Tampering alarm |
| General Function | Watermark, IP Address Filtering, Alarm input, Alarm output, Access Policy, ARP Protection, RTSP Authentication, User Authentication |
| Audio | |
| Audio Compression | G.711U, G.711A |
| Audio Bitrate | 64 Kbps |
| Two-way Audio | Support |
| Suppression | Support |
| Sampling Rate | 8 kHz |
| Storage | |
| Edge Storage | Micro SD, up to 256 GB |
| Network Storage | ANR,NAS(NFS) |
| Network | |
| Protocols | IPv4, IGMP, ICMP, ARP, TCP, UDP, DHCP, PPPoE, RTP, RTSP, RTCP, DNS, DDNS, NTP, FTP, UPnP, HTTP, HTTPS, SMTP, 802.1x, SNMP, QoS, RTMP, SSL/TLS |
| Compatible Integration | ONVIF (Profile S, Profile G, Profile T), API, SDK |
| User/Host | Up to 32 users. 3 user levels: administrator, operator and common user |
| Security | Password protection, strong password, HTTPS encryption, basic and digest authentication for RTSP, digest authentication for HTTP, TLS 1.2, WSSE and digest authentication for ONVIF |
| Client | EZStation EZLive EZView |
| Web Browser | Plug-in required live view: IE 10 and above, Chrome 45 and above, Firefox 52 and above, Edge 79 and above |
| Pan & Tilt | |
| Pan Range | 350° |
| Pan Speed | 0.1°/s ~ 60°/s |
| | Preset speed: 60°/s |
| Tilt Range | 0° ~ 90° |
| Tilt Speed | 0.1° ~ 50°/s |
| | Preset speed: 50°/s |
| Number of Presets | 1024 |
| Preset Patrol | 16 patrols, up to 64 presets for each patrol |
| Patrol Stay Time | 120s~1800s |
| Preset Image Freeze | N/A |
| Home Position | Support |
| Interface | |
| Audio I/O | N/A |
| Alarm I/O | 1/1 |
| Serial Port | 1 RS485 |
| Built-in Mic | Support |
| Built-in Speaker | Support |
| WIFI | Support (IEEE802.11b/g/n) |
| Network | 1 * RJ45 10M/100M Base-TX Ethernet |
| Video output | N/A |
| Certification | |
| EMC | CE-EMC (EN 55032: 2015+A1:2020; EN 61000-3-3: 2013+A1: 2019; EN IEC 61000-3-2: 2019+A1: 2021; EN 55035: |

| | |
|---------------------|--|
| | 2017+A11:2020) FCC (FCC CFR 47 part15 B, ANSI C63.4-2014) |
| RF | FCC ID (FCC CFR 47 part15 C) CE RED (EN 62311: 2008, EN 300 328 V2.2.2(2019-07), EN 301489-1 V2.2.3(2019-11), ETSI EN 301 489-17 V3.2.4(2020-09)) |
| Safety | CE LVD (EN 62368-1:2014+A11:2017) CB (IEC 62368-1:2014) UL (UL 62368-1, 2nd Ed., Issue Date: 2014-12-01) |
| Environment | CE-ROHS (2011/65/EU;(EU)2015/863) |
| General | |
| Power | DC12V(±25%), PoE+(IEEE 802.3at) |
| | Power consumption: Max 15W |
| Power Interface | Ø 5.5mm coaxial power plug |
| Dimensions (Ø x H) | Ø129 x 143.6mm (Ø5.1" x 5.7") |
| Weight | 0.76kg(1.67lb) |
| Working Environment | -10°C~50°C(14°F ~ 122°F), Humidity: ≤95% RH (non-condensing) |
| Storage Environment | -40°C~70°C(-40°F ~ 158°F), Humidity: ≤95% RH (non-condensing) |
| Surge protection | 4KV |
| Reset Button | Support |

Dimensions



Accessories

TR-JB03-H-IN

Junction Box



TR-JB07/WM03-F-IN

Wall Mount



TR-WM03-B-IN

Wall Mount



TR-A01-IN

Waterproof Joint



TR-UP06-IN

Pole Mount



TR-SE24-IN

Pendent Mount



TR-SE24-A-IN

Pendent Mount



TR-CM24-IN

Pendent Mount



| Junction Mount | Wall mount |
|---|---|
| TR-JB03-H-IN + TR-A01-IN | TR-JB07/WM03-F-IN、TR-WM03-B-IN+TR-UP06-IN |
| | |
| Pendent Mount | |
| TR-JB03-H-IN+ TR-SE24-IN/TR-SE24-A-IN+ TR-CM24-IN | / |
| | / |

Zhejiang Uniview Technologies Co., Ltd.

Building No.10, Wanlun Science Park, Jiangling Road 88, Binjiang District, Hangzhou, Zhejiang, China (310051)

Email: overseasbusiness@uniview.com; globalsupport@uniview.com

<http://www.uniview.com>

©2022 Zhejiang Uniview Technologies Co., Ltd. All rights reserved.

*Product specifications and availability are subject to change without notice