

# 2MP HD Intelligent LightHunter IR Fixed Bullet Network Camera

IPC2122SB-ADF28(40)KM-I0



## Key Features



- High quality imaging with 2MP, 1/2.8"CMOS sensor
- 2MP (1920\*1080)@30/25fps; 720P (1280\*720)@30/25fps
- Ultra 265, H.265, H.264, MJPEG
- Smart intrusion prevention, include cross line, intrusion, enter area, leave area detection
- Based on target classification, smart intrusion prevention significantly reduce false alarm caused by leaves, birds and lights etc., accurately focus on human and, motor vehicle and non-motor vehicle
- Intelligent People Flow Counting and Crowd Density Monitoring
- LightHunter technology ensures ultra-high image quality in low illumination environment
- 120dB true WDR technology enables clear imaging in strong light scene
- Support 9:16 Corridor Mode
- Built-in Mic
- Smart IR, up to 40m (131ft) IR distance
- Supports 256 G Micro SD card
- IP67 protection
- Support PoE power supply

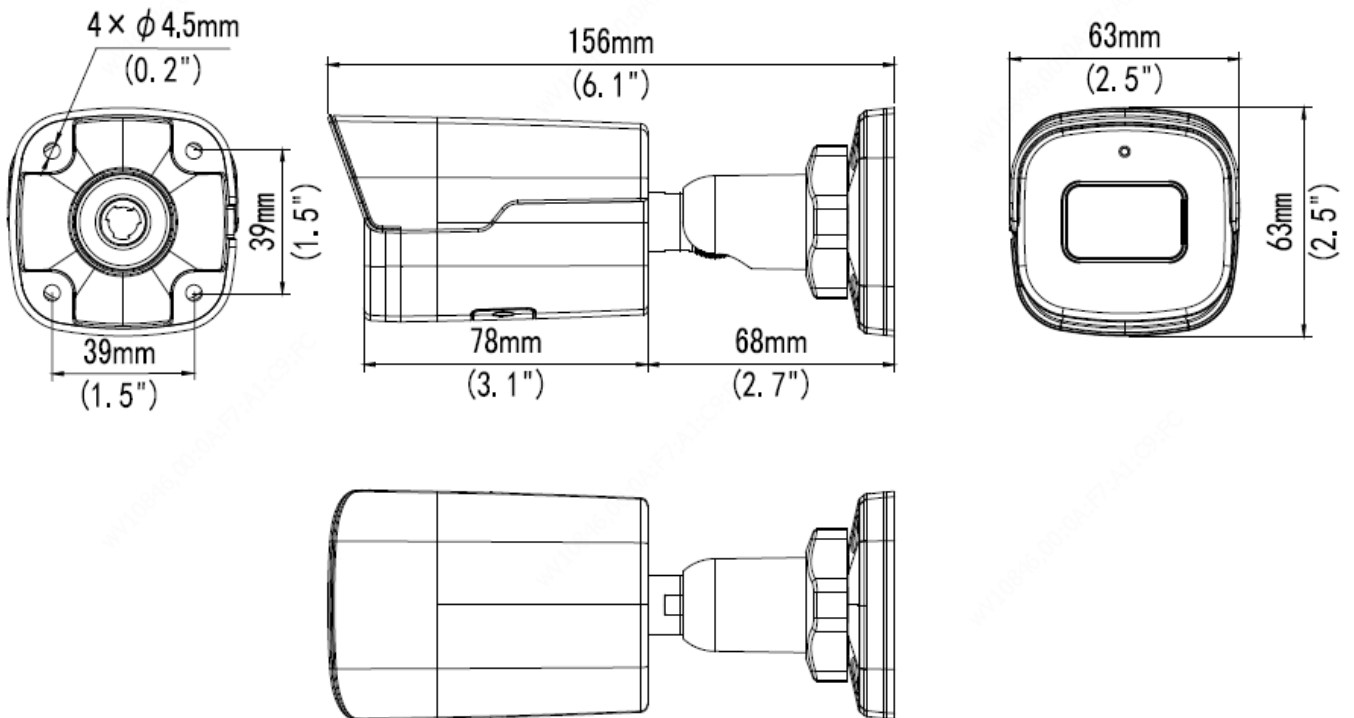
## Specifications

|                         | IPC2122SB-ADF28KM-I0                                                                                                                                                                                                                                                          | IPC2122SB-ADF40KM-I0 |                   |               |              |
|-------------------------|-------------------------------------------------------------------------------------------------------------------------------------------------------------------------------------------------------------------------------------------------------------------------------|----------------------|-------------------|---------------|--------------|
| <b>Camera</b>           |                                                                                                                                                                                                                                                                               |                      |                   |               |              |
| Sensor                  | 1/2.8", 2.0 megapixel, progressive scan, CMOS                                                                                                                                                                                                                                 |                      |                   |               |              |
| Minimum Illumination    | Colour: 0.001 lux (F1.6, AGC ON)<br>0 lux with IR on                                                                                                                                                                                                                          |                      |                   |               |              |
| Day/Night               | IR-cut filter with auto switch (ICR)                                                                                                                                                                                                                                          |                      |                   |               |              |
| Shutter                 | Auto/Manual, 1 ~ 1/100000s                                                                                                                                                                                                                                                    |                      |                   |               |              |
| Adjustment angle        | Pan: 0° ~ 360°                                                                                                                                                                                                                                                                | Tilt: 0° ~ 90°       | Rotate: 0° ~ 360° |               |              |
| WDR                     | 120dB                                                                                                                                                                                                                                                                         |                      |                   |               |              |
| S/N                     | >52dB                                                                                                                                                                                                                                                                         |                      |                   |               |              |
| <b>Lens</b>             |                                                                                                                                                                                                                                                                               |                      |                   |               |              |
| Lens                    | 2.8mm@F1.6                                                                                                                                                                                                                                                                    | 4.0mm@F1.6           |                   |               |              |
| Iris                    | Fixed                                                                                                                                                                                                                                                                         |                      |                   |               |              |
| Field of View (H)       | 106.7°                                                                                                                                                                                                                                                                        | 87.5°                |                   |               |              |
| Field of View (V)       | 57.1°                                                                                                                                                                                                                                                                         | 46.3°                |                   |               |              |
| Field of View (D)       | 115.7°                                                                                                                                                                                                                                                                        | 92.4°                |                   |               |              |
| <b>DORI</b>             |                                                                                                                                                                                                                                                                               |                      |                   |               |              |
| DORI Distance           | Lens (mm)                                                                                                                                                                                                                                                                     | Detect (m)           | Observe (m)       | Recognize (m) | Identify (m) |
|                         | 2.8                                                                                                                                                                                                                                                                           | 43.4                 | 17.4              | 8.7           | 4.3          |
|                         | 4.0                                                                                                                                                                                                                                                                           | 62.1                 | 24.8              | 12.4          | 6.2          |
| <b>Illuminator</b>      |                                                                                                                                                                                                                                                                               |                      |                   |               |              |
| IR Range                | Up to 40m (131 ft) IR range                                                                                                                                                                                                                                                   |                      |                   |               |              |
| Wavelength              | 850nm                                                                                                                                                                                                                                                                         |                      |                   |               |              |
| IR On/Off Control       | Auto/Manual                                                                                                                                                                                                                                                                   |                      |                   |               |              |
| <b>Video</b>            |                                                                                                                                                                                                                                                                               |                      |                   |               |              |
| Video Compression       | Ultra 265, H.265, H.264, MJPEG                                                                                                                                                                                                                                                |                      |                   |               |              |
| H.264 code profile      | Baseline profile, Main profile, High profile                                                                                                                                                                                                                                  |                      |                   |               |              |
| Frame Rate              | Main Stream: 2MP (1920*1080), Max 30fps; 720P (1280*720), Max 30fps;<br>Sub Stream: 720P (1280*720), Max 30fps; D1 (720*576), Max 30fps; 640*360, Max 30fps;<br>Third Stream: D1 (720*576), Max 30fps; 640*360, Max 30fps; 2CIF(704*288), Max 30fps; CIF(352*288), Max 30fps; |                      |                   |               |              |
| Video Bit Rate          | 128 Kbps~16 Mbps                                                                                                                                                                                                                                                              |                      |                   |               |              |
| U-code                  | Support                                                                                                                                                                                                                                                                       |                      |                   |               |              |
| OSD                     | Up to 8 OSDs                                                                                                                                                                                                                                                                  |                      |                   |               |              |
| Privacy Mask            | Up to 4 areas                                                                                                                                                                                                                                                                 |                      |                   |               |              |
| ROI                     | Up to 8 areas                                                                                                                                                                                                                                                                 |                      |                   |               |              |
| Video Stream            | Triple streams                                                                                                                                                                                                                                                                |                      |                   |               |              |
| <b>Image</b>            |                                                                                                                                                                                                                                                                               |                      |                   |               |              |
| White Balance           | Auto/Outdoor/Fine Tune/Sodium Lamp/Locked/Auto2                                                                                                                                                                                                                               |                      |                   |               |              |
| Digital Noise Reduction | 2D/3D DNR                                                                                                                                                                                                                                                                     |                      |                   |               |              |
| Smart IR                | Support                                                                                                                                                                                                                                                                       |                      |                   |               |              |
| Flip                    | Normal/Vertical/Horizontal/180°/90°Clockwise/90°Anti-clockwise                                                                                                                                                                                                                |                      |                   |               |              |
| Dewarping               | N/A                                                                                                                                                                                                                                                                           |                      |                   |               |              |

|                            |                                                                                                                                                                                                   |
|----------------------------|---------------------------------------------------------------------------------------------------------------------------------------------------------------------------------------------------|
| HLC                        | Support                                                                                                                                                                                           |
| BLC                        | Support                                                                                                                                                                                           |
| Defog                      | Digital Defog                                                                                                                                                                                     |
| <b>Intelligent</b>         |                                                                                                                                                                                                   |
| Smart intrusion prevention | Support false alarm filtering: Cross Line detection, Intrusion detection, Enter Area detection, Leave Area detection                                                                              |
| Statistical Analysis       | People counting, support people flow counting and crowd density monitoring                                                                                                                        |
| <b>Events</b>              |                                                                                                                                                                                                   |
| Basic Detection            | Motion detection, Ultra motion detection, Tampering alarm, Audio detection                                                                                                                        |
| General Function           | Watermark, IP address filtering, access policy, ARP protection, RTSP authentication, user authentication                                                                                          |
| <b>Audio</b>               |                                                                                                                                                                                                   |
| Audio Compression          | G.711U, G.711A                                                                                                                                                                                    |
| Audio Bitrate              | 64 Kbps                                                                                                                                                                                           |
| Two-way Audio              | N/A                                                                                                                                                                                               |
| Suppression                | Support                                                                                                                                                                                           |
| Sampling Rate              | 8KHZ                                                                                                                                                                                              |
| <b>Storage</b>             |                                                                                                                                                                                                   |
| Edge Storage               | Micro SD, up to 256GB                                                                                                                                                                             |
| Network Storage            | ANR, NAS(NFS)                                                                                                                                                                                     |
| <b>Network</b>             |                                                                                                                                                                                                   |
| Protocols                  | IPv4, IPv6,IGMP, ICMP, ARP, TCP, UDP, DHCP, PPPoE, RTP, RTSP, RTCP, DNS, DDNS, NTP, FTP, UPnP, HTTP, HTTPS, SMTP, 802.1x, SNMP, QoS, RTMP,SSL/TLS, SSH                                            |
| Compatible Integration     | ONVIF (Profile S, Profile G, Profile T), API,SDK                                                                                                                                                  |
| User/Host                  | Up to 32 users. 2 user levels: administrator and common user                                                                                                                                      |
| Security                   | Password protection, strong password, HTTPS encryption, Export operation logs, basic and digest authentication for RTSP, digest authentication for HTTP, TLS 1.2, digest authentication for ONVIF |
| Client                     | EZStation<br>EZView<br>EZLive                                                                                                                                                                     |
| Web Browser                | Plug-in required live view: IE 10 and above, Chrome 45 and above, Firefox 52 and above, Edge 79 and above                                                                                         |
|                            | Plug-in free live view: Chrome 57.0 and above, Firefox 58.0 and above, Edge 16 and above                                                                                                          |
| <b>Interface</b>           |                                                                                                                                                                                                   |
| Audio I/O                  | N/A                                                                                                                                                                                               |
| Alarm I/O                  | N/A                                                                                                                                                                                               |
| RS485                      | N/A                                                                                                                                                                                               |
| Built-in Mic               | Support                                                                                                                                                                                           |
| Built-in Speaker           | N/A                                                                                                                                                                                               |
| WIFI                       | N/A                                                                                                                                                                                               |
| Network                    | 1 * RJ45 10M/100M Base-TX Ethernet                                                                                                                                                                |
| Video Output               | N/A                                                                                                                                                                                               |
| <b>Certifications</b>      |                                                                                                                                                                                                   |
| EMC                        | CE-EMC (EN 55032: 2015+A1:2020,EN 61000-3-3: 2013+A1: 2019,EN IEC 61000-3-2: 2019+A1: 2021,EN 55035: 2017+A11:2020)<br>FCC (FCC CFR 47 part15 B, ANSI C63.4-2014)                                 |
| Safety                     | CE LVD (EN 62368-1:2014+A11:2017)<br>CB (IEC 62368-1:2014)<br>UL (UL 62368-1, 2nd Ed., Issue Date: 2014-12-01)                                                                                    |

|                        |                                                                                            |
|------------------------|--------------------------------------------------------------------------------------------|
| Environment            | CE-RoHS (2011/65/EU;(EU)2015/863); WEEE (2012/19/EU); Reach (Regulation (EC) No 1907/2006) |
| Protection             | IP67 (IEC 60529:1989+AMD1:1999+AMD2:2013)                                                  |
| <b>General</b>         |                                                                                            |
| Power                  | DC 12V±25%, PoE (IEEE 802.3af)                                                             |
|                        | Power consumption: Max 6.0W                                                                |
| Power Interface        | ∅ 5.5mm coaxial power plug                                                                 |
| Dimensions (L × W × H) | 155.9 × 63.1 × 62.7mm (6.1" × 2.5" × 2.5")                                                 |
| Weight                 | 0.42kg (0.93lb)                                                                            |
| Material               | Metal                                                                                      |
| Working Environment    | -30°C ~ 60°C (-22°F ~ 140°F), Humidity: ≤95% RH (non-condensing)                           |
| Storage Environment    | -30°C ~ 60°C (-22°F ~ 140°F), Humidity: ≤95% RH (non-condensing)                           |
| Surge Protection       | 4KV                                                                                        |
| Reset Button           | Support                                                                                    |

## Dimensions



## Accessories

TR-UP06-B-IN

Pole Mount



TR-JB05-A-IN

Junction Box



TR-UP06-C-IN

Pole Mount



TR-A01-IN

Waterproof Joint



### Zhejiang Uniview Technologies Co., Ltd.

Building No.10, Wanlun Science Park, Jiangling Road 88, Binjiang District, Hangzhou, Zhejiang, China (310051)

Email: [overseasbusiness@uniview.com](mailto:overseasbusiness@uniview.com); [globalsupport@uniview.com](mailto:globalsupport@uniview.com)

<http://www.uniview.com>

©2020-2022 Zhejiang Uniview Technologies Co., Ltd. All rights reserved.

\*Product specifications and availability are subject to change without notice.