

2MP LightHunter PoC Fixed IR Bullet Analog Camera

UAC-B122-APF28LM



Introduction

UAC-B122-APF28LM is a 2MP LightHunter PoC fixed IR bullet analog camera with a high-performance 1/2.9-inch CMOS sensor and 3D noise reduction technology. It supports TVI/AHD/CVI/CVBS, which effectively enhances product adaptability and diversity of networking solutions. With SYV-75-3 or other coaxial cable types, the camera can achieve low-cost, long-distance, and anti-interference mega-pixel HD video transmission without time delay. In addition, the PoC power supply system can achieve video and power transmission on one cable, simplifying wiring and installation work, and improving structural flexibility. It supports IR-cut filter with auto-switch (ICR) and provides color images at daytime and black/white images at night. The camera also supports audio input and synchronous transmission of audio and video.

Features

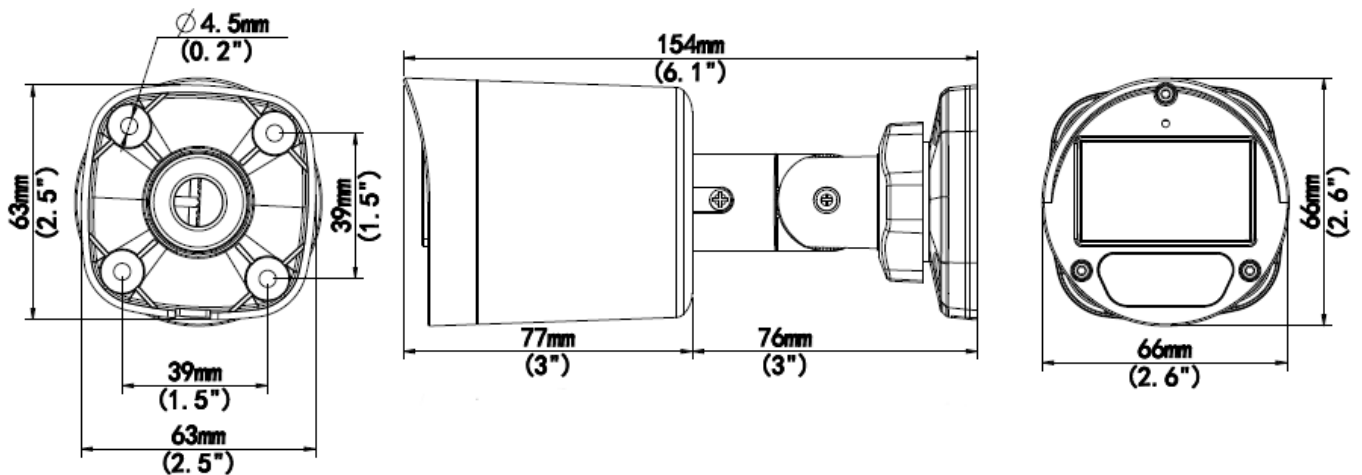
- High quality imaging with 2MP resolution
- TVI/AHD/CVI/CVBS
- Supports IR-cut filter with auto-switch (ICR)
- LightHunter monitoring with high-sensitivity sensor
- 3D noise reduction technology delivers clean and sharp images
- Supports 180° horizontal flip, 180° vertical flip
- OSD configuration menu, easy to operate
- IP67 waterproof and dustproof design, high reliability
- OSD configuration menu in 11 languages
- Built-in microphone for high quality audio transmission via coaxial cables
- Supports digital defog
- Support PoC power supply

Specifications

Model	UAC-B122-APF28LM
Sensor	
Pixel	2MP
Size	1/2.9"
Minimum illumination	0.005 lux (F1.6, AGC ON) 0 lux (IR ON)
Lens	
Lens	2.8mm
Lens mount	M12
Angle of view	H: 101.5° V: 56.9° D: 117.4°
Illuminator	
Illuminator	Two IR illuminators
Illumination distance	40m
Lifetime	≥60,000 hours
Video	
Resolution	1080P: 1920(H)×1080(V) 720P: 1280(H) ×720(V)
Frame rate	TVI/AHD/CVI: 1080P@25fps (default), 1080P@30fps; 720P@25fps, 720P@30fps CVBS: PAL, NTSC
Shutter time	PAL: 1/25s-1/50000s NTSC: 1/30s-1/50000s
Image	
Exposure mode	Four modes: Global (default), BLC, HLC, DWDR
Day/Night	Three modes: Auto (default), Day, Night
Digital noise reduction	2D/3D
White balance	Two modes: Auto (default), Manual
WDR	DWDR
Smart IR	Support
Flip	Supports 180° horizontal flip, 180° vertical flip
Defog	Digital Defog
Audio	
Microphone	Built-in Mic
Camera audio	TVI: 1080P@25fps, 1080P@30fps CVI: 1080P@25fps, 1080P@30fps
Interface	
Power	5.5mm power interface
Video output	BNC, supports TVI/AHD/CVI/CVBS
Operating environment	
Temperature	-30°C to 60°C (-22°F to 140°F)
Humidity	≤95% (RH, non-condensing)
Surge protection	4kV
General	
Power	DC 12V (±25%)/PoC, with reverse polarity protection, Max 3.2W

Mount	3D bracket supplied, surface mount (default), optional backbox, pole mount bracket
Dimensions	154mm*66mm*66mm (L*W*H)
Material	Metal+Plastic
Weight	256g (0.56lb)
OSD menu language	11 Languages English, German, Spanish(Latin America), French, Italian, Japanese, Korean, Polish, Portuguese(Brazil), Russian, Turkish
Certification	
EMC	CE-EMC (EN 55032,EN 61000-3-3,EN IEC 61000-3-2,EN 55035) FCC (FCC 47 CFR part15 B)
Safety	CE-LVD (EN 62368-1)
Environment	CE-RoHS (2011/65/EU;(EU)2015/863); WEEE (2012/19/EU)
Protection	IP67 (IEC 60529)

Dimensions



UAC-B122-APF28LM

Accessories

TR-JB05-A-IN

Junction Box



TR-UP06-B-IN

Pole Mount



TR-UP06-C-IN

Pole Mount



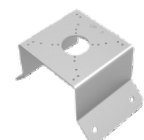
TR-A01-IN

Waterproof joint



TR-UC08-C

Corner mount



PWR-DC1201A-UK,
PWR-DC1201B-UK

Wall Plug-in UK
Power Adapter

PWR-DC1201A-US,
PWR-DC1201B-US

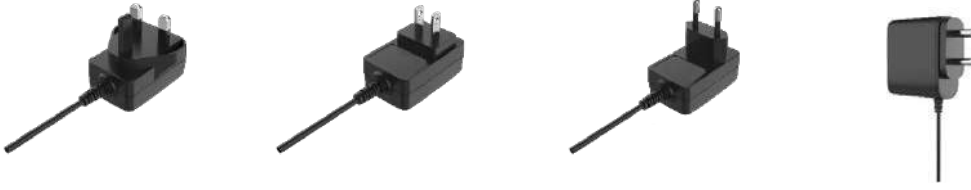
Wall Plug-in US
Power Adapter

PWR-DC1201A-EU,
PWR-DC1201B-EU

Wall Plug-in EU
Power Adapter

PWR-DC1201A-IND

Wall Plug-in IND
Power Adapter



Mount	
TR-UP06-B-IN	TR-JB05-A-IN+TR-UP06-C-IN
TR-JB05-A-IN+TR-UC08-C	

Zhejiang Uniview Technologies Co., Ltd.

Building No. 369, Xietong Road, Xixing Sub-district, Binjiang District, Hangzhou City, Zhejiang Province, China (310051)

Email: overseasbusiness@uniview.com; globalsupport@uniview.com

<https://www.uniview.com>

©2023 Zhejiang Uniview Technologies Co., Ltd. All rights reserved.

*Product specifications and availability are subject to change without notice.