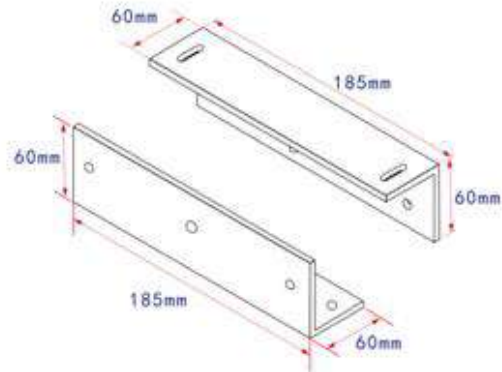


# OEA-MS12-500Z Magnetic Lock Z-Bracket (500KG)

## Overview

OEA-MS12-500Z is a Z-Bracket for 280kg magnetic locks

## Product Dimensions



## Features

- Used to install the armature plate of 500kg magnetic locks

## Ordering Information

Model	Remarks
OEA-MS12-500Z	Magnetic Lock Z-Bracket (500KG)

## Product Specification

Features Parameter	Description
Material	Aluminum alloy
Dimensions (L×W×H)	185*60*60mm
Weight	0.72kg

### Zhejiang Uniview Technologies Co., Ltd.

Building No.10, Wanlun Science Park, Jiangling Road 88, Binjiang District,  
Hangzhou, Zhejiang, China (310051)

Email: [overseasbusiness@uniview.com](mailto:overseasbusiness@uniview.com); [globalsupport@uniview.com](mailto:globalsupport@uniview.com)

<http://www.uniview.com>

©2019 Zhejiang Uniview Technologies Co., Ltd. All rights reserved.

\*Product specifications and availability are subject to change without notice.