

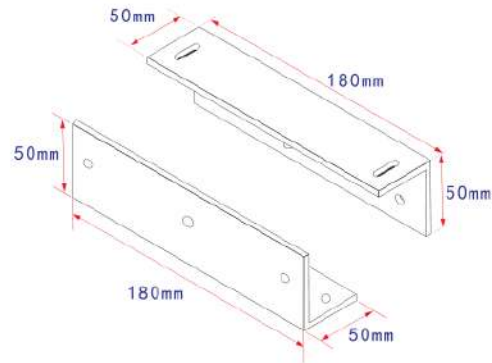
OEA-MS12-280Z Magnetic Lock Z-Bracket (280KG)

Overview

OEA-MS12-280Z is a Z-Bracket for 280kg magnetic locks



Product Dimensions



Features

- Used to install the armature plate of 280kg magnetic locks

Ordering Information

Model	Remarks
OEA-MS12-280Z	Magnetic Lock Z-Bracket (280KG)

Product Specification

Features Parameter	Description
Material	Aluminum alloy
Dimensions (L×W×H)	180*50*50mm
Weight	0.48kg

Zhejiang Uniview Technologies Co., Ltd.

Building No.10, Wanlun Science Park, Jiangling Road 88, Binjiang District, Hangzhou, Zhejiang, China (310051)

Email: overseasbusiness@uniview.com; globalsupport@uniview.com

<http://www.uniview.com>

©2019 Zhejiang Uniview Technologies Co., Ltd. All rights reserved.

*Product specifications and availability are subject to change without notice.