

## DS-2SE3C404MWG-E/14 TandemVu 4 MP 4× IR Network Speed Dome

Powered by

**DarkFighter**



Hikvision 4 × IR Network Speed Dome adopts 1/2.8" progressive scan CMOS chip. With the 4 × optical zoom lens, the camera offers more details over expansive areas. This series of cameras can be widely used for wide ranges of high-definition, such as rivers, roads, railways, airports, squares, parks, scenic spots, and venues, etc.

Hikvision has been dedicated to develop products with security since established.

Hikvision always follows security by design principle and has adopted many methods of security technologies into our product development lifecycle, including terminal security, data security, application security, network security, and privacy protection. In the meantime, the security technologies used by Hikvision are all in compliance with local applicable laws and safety regulations. These security measures could enhance product's cyber security protection capability and protect your devices as well as your data from malicious cyber attacks.

- Captures a large area and great details at the same time
- High quality imaging with 4 MP resolution
- Excellent low-light performance with powered-by-DarkFighter technology
- Secures an expansive area with 4× optical zoom and 16× digital zoom
- Supports WDR, HLC, BLC, 3D DNR, defog, regional exposure, regional focus
- Supports 12V DC & PoE+
- Support Human and Vehicle Detection

## ▪ Specification

Camera	
Image Sensor	[Bullet channel]: 1/2.8" Progressive Scan CMOS; [PTZ channel]: 1/2.8" progressive scan CMOS
Min. Illumination	[Bullet channel]: Color: 0.01 Lux @ (F1.6, AGC ON), B/W: 0.005 Lux @ (F1.6, AGC ON), 0 Lux with IR; [PTZ channel]: Color: 0.01 Lux @ (F1.5, AGC ON), B/W: 0.005Lux @ (F1.5, AGC ON), 0 Lux with IR
Shutter Speed	1 s to 1/30,000 s
Slow Shutter	yes
Zoom	[PTZ channel] 4 × optical, 16 × digital
Day & Night	ICR
Max. Resolution	[Bullet channel] 2560 × 1440, [PTZ channel] 2560 × 1440
Lens	
Focus	auto,manual,semi-auto
Focal Length	[Bullet channel]: 2.8 mm; [PTZ channel]: 2.8 to 12 mm, 4 × optical
Zoom Speed	[PTZ channel]: approx. 3.3 s
FOV	[Bullet channel] horizontal field of view: 114.9°, vertical field of view: 62.4°, diagonal field of view: 130.7°, [PTZ channel] horizontal field of view: 98° to 34.2°, vertical field of view: 52° to 19.2°, diagonal field of view: 111° to 39°
Aperture	[Bullet channel]: F1.6; [PTZ channel]: F1.5 to F2.9
Illuminator	
Supplement Light Type	[Bullet channel] Hybrid (IR and White Light), [PTZ channel] IR
Smart Supplement Light	Yes
Supplement Light Range	[PTZ channel]: IR Distance: up to 40 m; [Bullet channel]: IR Distance: up to 30 m; White Light Distance: 30 m
PTZ	
Movement Range (Pan)	0° to 350°
Movement Range (Tilt)	[Bullet channel] 7° to 17° (manually adjust), [PTZ channel] -5° to 90°
Pan Speed	pan speed: configurable from 0.1° to 30°/s; preset speed: 30°/s
Tilt Speed	tilt speed: configurable from 0.1° to 30°/s, preset speed 30°/s
Proportional Pan	yes
Presets	300
Patrol Scan	8 patrols, up to 32 presets for each patrol
Power-off Memory	yes
Park Action	preset,patrol scan
3D Positioning	yes
PTZ Status Display	yes
Preset Freezing	yes
Scheduled Task	dome reboot,preset,patrol scan,dome adjust,aux output
Video	
Region of Interest (ROI)	1 fixed regions for main stream

Main Stream	[Bullet channel]: 50 Hz: 25 fps (2560 × 1440, 1920 × 1080, 1280 × 720) 60 Hz: 30 fps (2560 × 1440, 1920 × 1080, 1280 × 720) [PTZ channel]: 50 Hz: 25 fps (2560 × 1440, 1920 × 1080, 1280 × 720) 60 Hz: 30 fps (2560 × 1440, 1920 × 1080, 1280 × 720)
Sub-Stream	[Bullet channel]: 50 Hz: 25 fps (640 × 480, 640 × 360) 60 Hz: 30 fps (640 × 480, 640 × 360) [PTZ channel]: 50 Hz: 25 fps (640 × 480, 640 × 360) 60 Hz: 30 fps (640 × 480, 640 × 360)
Third Stream	[Bullet channel]: 50 Hz: 25 fps (1280 × 720, 640 × 480, 640 × 360) 60 Hz: 30 fps (1280 × 720, 640 × 480, 640 × 360) [PTZ channel]: 50 Hz: 25 fps (1280 × 720, 640 × 480, 640 × 360) 60 Hz: 30 fps (1280 × 720, 640 × 480, 640 × 360)
Video Compression	H.265,H.264,MJPEG
Video Bit Rate	32 kbps to 16384 kbps
H.264 Type	main profile,baseline profile,high profile
H.265 Type	main profile
Scalable Video Coding (SVC)	yes
<b>Audio</b>	
Audio Compression	G.711,G.722.1,G.726,MP2L2,PCM,MP3,AAC
Audio Bit Rate	MP2L2: 32 kbps, 40 kbps, 48 kbps, 56 kbps, 64 kbps, 80 kbps, 96 kbps, 112 kbps, 128 kbps, 144 kbps, 160 kbps; AAC : 16 kbps, 32 kbps, 64 kbps; MP3: 8 kbps, 16 kbps, 32 kbps, 40 kbps, 48 kbps, 56 kbps, 64 kbps, 80 kbps, 96 kbps, 112 kbps, 128 kbps, 144 kbps, 160 kbps
Audio Sampling Rate	MP2L2: 16 kHz,AAC-LC: 16 kHz,PCM: 8 kHz, 16 kHz,MP3: 8 kHz, 16 kHz
Environment Noise Filtering	yes
<b>Network</b>	
API	ONVIF (Profile S, Profile G, Profile T),ISAPI,SDK,ISUP
Network Storage	NAS (NFS, SMB/ CIFS),ANR, ANR
Protocols	TCP/IP,SMTP,RTSP,FTP,WebSockets,IGMP,WebSocket,Qos,RTCP,HTTPS,PPPoE,SNMP,NTP,RTP,UDP,DNS,HTTP,DHCP,Bonjour,802.1x,IPv4/IPv6,DDNS,ICMP,UPnP
Simultaneous Live View	20
User/Host	32
Security	802.1X authenticated access,MAC address binding,Authenticated username and password,IP address filter,HTTPS encryption
Client	iVMS-4200,Hik-Connect
Web Browser	IE8+, Chrome31 to 44, Firefox 30 to 51, Safari8.0+
<b>Image</b>	
Image Settings	sharpness, saturation, brightness, contrast
Wide Dynamic Range (WDR)	120 dB
SNR	≥ 52 dB

Defog	Digital defog
Day/Night Switch	day, night, auto, scheduled-switch
Image Enhancement	BLC,HLC,3D DNR
Privacy Mask	[Bullet channel] 24 programmable polygon privacy masks, [PTZ channel] 24 programmable polygon privacy masks
Regional Focus	[Bullet channel] No, [PTZ channel] Yes
Regional Exposure	[Bullet channel] No, [PTZ channel] Yes
Image Parameters Switch	Yes
<b>Interface</b>	
Ethernet Interface	RJ45, self-adaptive 10M/100M Ethernet port
On-board Storage	Built-in memory card slot, support Micro SD/SDHC/SDXC, up to 512 GB
Reset	yes
<b>Event</b>	
Basic Event	Motion detection,video tampering alarm,exception,alarm input and output
Smart Event	Line crossing detection,intrusion detection,region entrance detection,region exiting detection,audio exception detection
Linkage	[Bullet channel] Upload to FTP/NAS/memory card, notify surveillance center, send email, trigger alarm output, and trigger recording, [PTZ channel] Upload to FTP/NAS/memory card, notify surveillance center, send email, trigger alarm output, trigger recording, and PTZ actions (such as preset, patrol scan, pattern scan)
<b>General</b>	
General Function	mirror,watermark,IP address filter,password protection
Power	12 VDC, PoE+
Operating Condition	-30 °C to 50 °C (-22 °F to 122 °F). Humidity 95% or less (non-condensing)
Demist	Demist by heating the glass
Material	PC
Dimension	311.5 mm × 223.5 mm × 156 mm (12.26" × 8.80" × 6.14")
Weight	Approx. 1.37 kg (3.02 lb.)
<b>Approval</b>	
Protection	IP66 Standard, Surge Protection and Voltage Transient Protection

### ▪ DORI

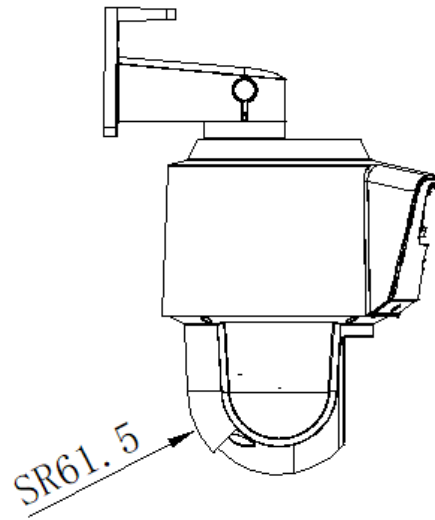
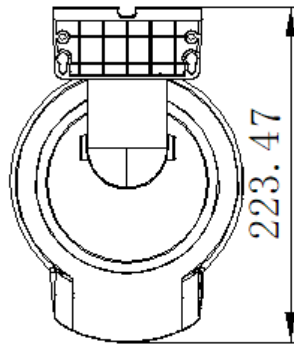
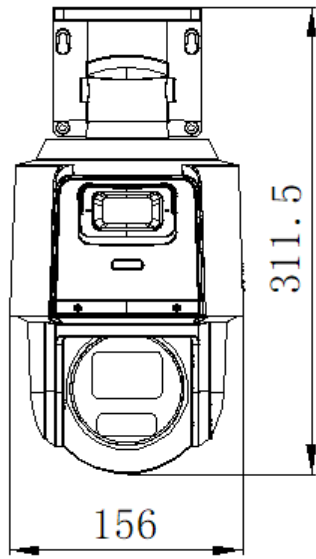
The DORI (detect, observe, recognize, identify) distance gives the general idea of the camera ability to distinguish persons or objects within its field of view. It is calculated based on the camera sensor specification and the criteria given by EN 62676-4: 2015.

DORI	Detect	Observe	Recognize	Identify
Distance (Tele)	156.5 m (513.5 ft)	62.1 m (203.7 ft)	31.3 m (102.7 ft)	15.7 m (51.5 ft)

### ▪ Available Model

DS-2SE3C404MWG-E/14(2.8mm)

### ▪ Dimension



Unit:mm

**Headquarters**

No.555 Qianmo Road, Binjiang District,  
Hangzhou 310051, China  
T +86-571-8807-5998  
www.hikvision.com



Follow us on social media to get the latest product and solution information.

